

# VRD2 Model Number Builder

## Diversity Video/Audio/Data Receiver

### Frequency Band (Other Ranges Available)

<b>U</b> = UHF	340.0-399.9 MHz
<b>M</b> = Lower L-band	1435-1535 MHz
<b>L</b> = Upper L-band	1700-1850 MHz
<b>S</b> = S-band	2200-2399 MHz
<b>2</b> = ISM S-band	2400.00-2499.75 MHz
<b>D</b> = Dual L/S	1700-1850 & 2200-2500 MHz
<b>C</b> = C-band	4400-4999 MHz
<b>P</b> = Public Safety C-band	4940-4990 MHz

### Subcarrier Type<sup>1</sup>

<b>R</b>	RS-232 (48 kbps)
<b>T</b>	TTL (48 kbps)
<b>A</b>	Audio (10 kHz) <sup>2</sup>
<b>Blank</b>	None

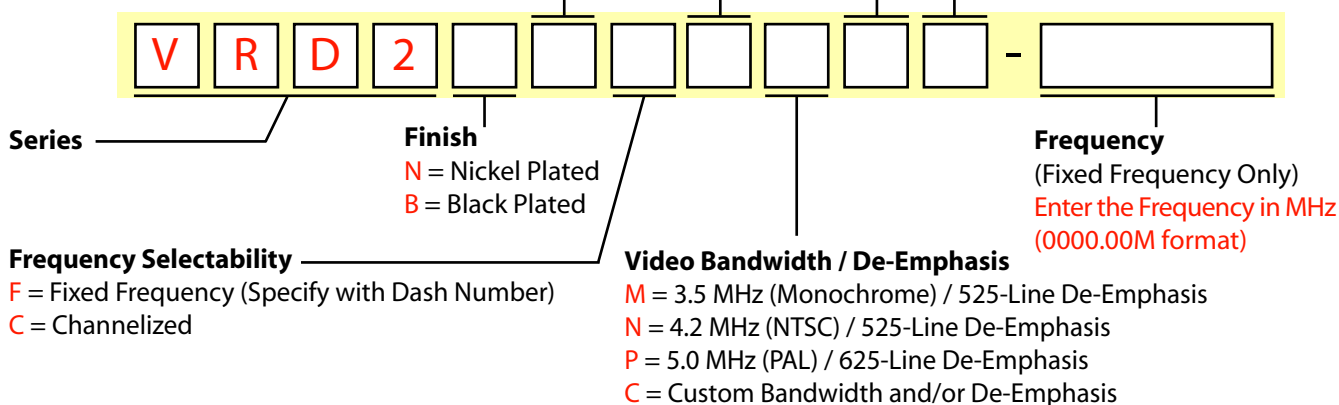
### Subcarrier Frequency<sup>3</sup>

<b>A</b>	4.83 MHz	<b>G</b>	7.20 MHz
<b>B</b>	5.80 MHz	<b>H</b>	7.50 MHz
<b>C</b>	6.00 MHz	<b>J</b>	8.30 MHz
<b>D</b>	6.20 MHz	<b>K</b>	8.50 MHz
<b>E</b>	6.50 MHz	<b>L</b>	8.59 MHz
<b>F</b>	6.80 MHz	<b>M</b>	Custom

### RSSI Display

<b>M</b>	Analog Bar Meter
<b>L</b>	LED Light Bar

Blank = None



### Notes:

- Receiver may be configured as video only or one audio, RS232 data, or TTL data subcarrier.
- Audio De-Emphasis:
  - 75 usec standard with NTCS video
  - 50 usec standard with PAL video
- Subcarrier Frequency Limits
  - Monochrome Video - 4.83 MHz and higher
  - NTCS Video - 5.8 MHz and higher
  - PAL Video - 6.8 MHz and higher



Advanced Microwave Products  
7025 Longley Lane, Suite 20  
Reno, NV 89511

Phone: (775) 345-9933  
Fax: (775) 345-9913  
E-mail: sales@advmw.com  
Web: www.advmw.com