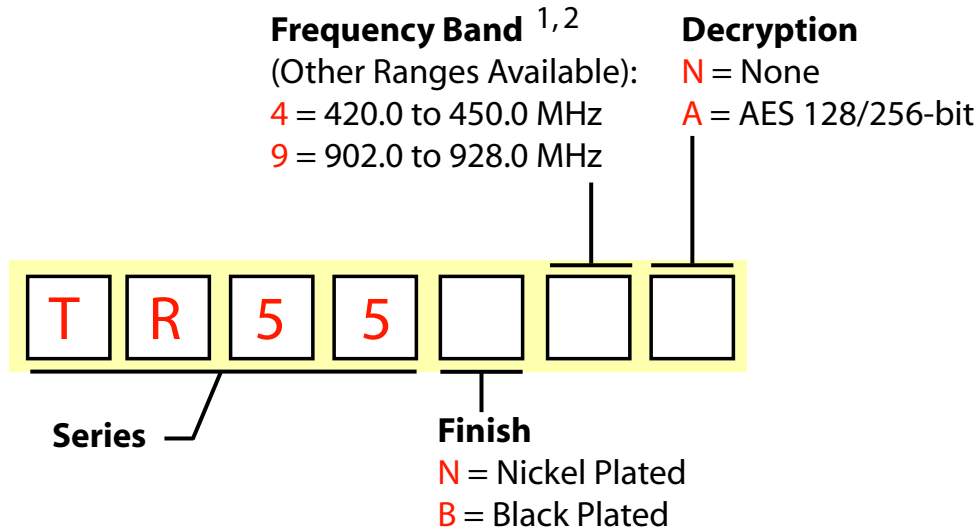


TR55 Model Number Builder

COFDM Telemetry Receiver



Notes:

1) Channel spacing is equal to bandwidth setting (100 kHz, 250 kHz, 500 kHz, or 1 MHz).

2) All models are standard equipped with 15 programmable configuration pre-sets, consisting of operating frequency, modulation settings, and data settings.



Advanced Microwave Products
7025 Longley Lane, Suite 20
Reno, NV 89511

Phone: (775) 345-9933
Fax: (775) 345-9913
E-mail: sales@advmw.com
Web: www.advmw.com