

# CDT1 Model Number Builder

## DVB-T COFDM Video/Audio Transmitter

### Frequency Band

|                   |                 |
|-------------------|-----------------|
| U1 = UHF Band     | 340.0-399.9 MHz |
| L1 = Lower L-band | 1435-1535 MHz   |
| L2 = Upper L-band | 1700-1850 MHz   |
| S1 = S-band       | 2200-2399 MHz   |
| S2 = ISM S-band   | 2400-2499 MHz   |
| S3 = Full S-Band  | 2200-2499 MHz   |
| C1 = Lower C-Band | 4400-4900 MHz   |
| C2 = Upper C-Band | 4900-4999 MHz   |
| C3 = Full C-Band  | 4400-4999 MHz   |
| ZZ = Custom       | Specify         |

### Bandwidth

- D = 6/7/8 MHz DVB-T
- N = 2.5 MHz Narrowband and DVB-T
- U = 1.25 MHz Ultra-Narrowband, Narrowband, and DVB-T

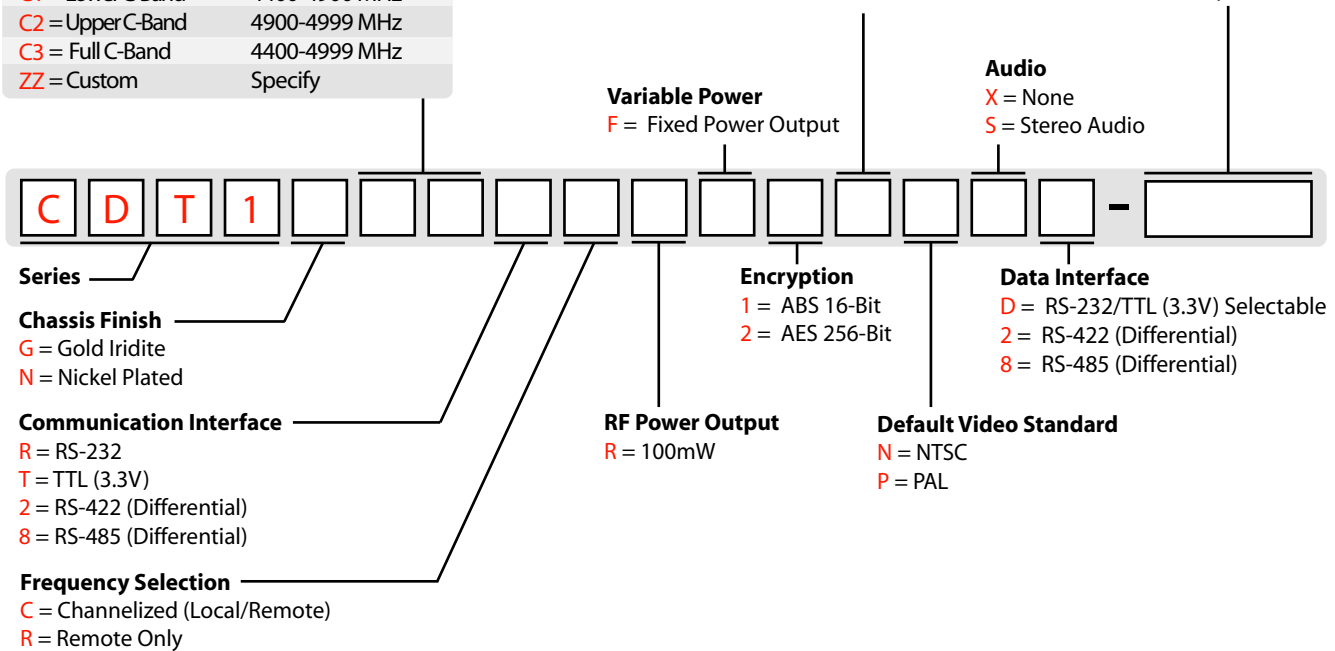
### Frequency

(Fixed Frequency Only)  
Enter the Frequency in MHz  
(0000.00M format)

or

### Custom Options

Consult factory for available options



### Notes:



Advanced Microwave Products  
8748 Technology Way  
Reno, NV 89521

Phone: (775) 345-9933  
Fax: (775) 345-9913  
E-mail: sales@advmw.com  
Web: www.advmw.com